

Rubber Box Co Ltd

Extension Boxes and Accessories

39C Churchill Way, Lomeshaye Ind. Estate, Nelson, Lancs. BB9 6RT

Telephone 01282 677910 Fax 01282 677911

E-mail: info@rubberbox.co.uk Web: www.rubberbox.co.uk

EC Low Voltage Directive

2006/95/EC

Declaration of Conformity

We, hereby declare under our sole responsibility certify that the equipment specified below is in conformity with the test requirements of the following standards.

EN 62208:2011

EN 61439-All Parts

EN 60664-5:2007

EN 60947-All Parts 2021

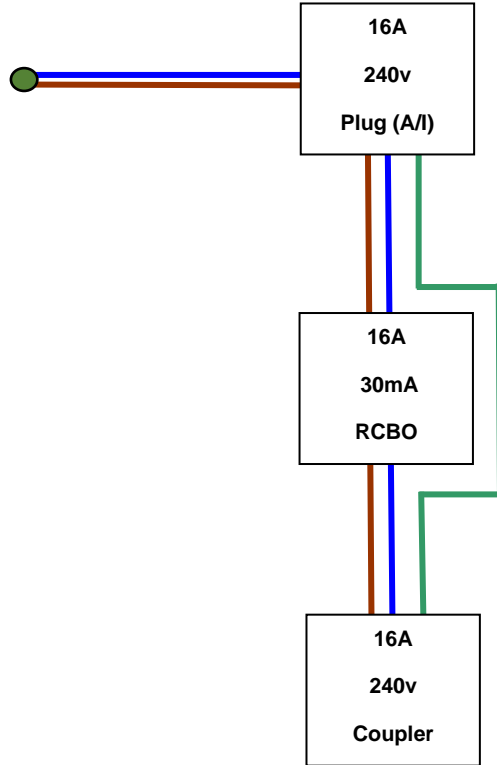
And on this basis comply with all the relevant provisions of the EC Low Voltage Directive 2006/95/EC and the National Laws and Regulations adopting this directive.

Modifications to this equipment without prior approval from the manufacturer will render this declaration null and void.

Enclosure Type	Type - 160 Rubber Distribution System
Equipment Description	Electrical Distribution Box
Ref. No.	Standard Product Code: RUB1601

And is in conformity with the provisions of the following EEC Directives.
2014/30/CU

RUB1601
Wiring Diagram



All wiring in
Titanex HO7RN-F Cable

All RCBO / RCD
30mA Type A